

# Military Temperature Product Catalog Introduction



**GSI Marketing—2/2011**

**COMMITMENT**

**INNOVATION**

**SPEED**



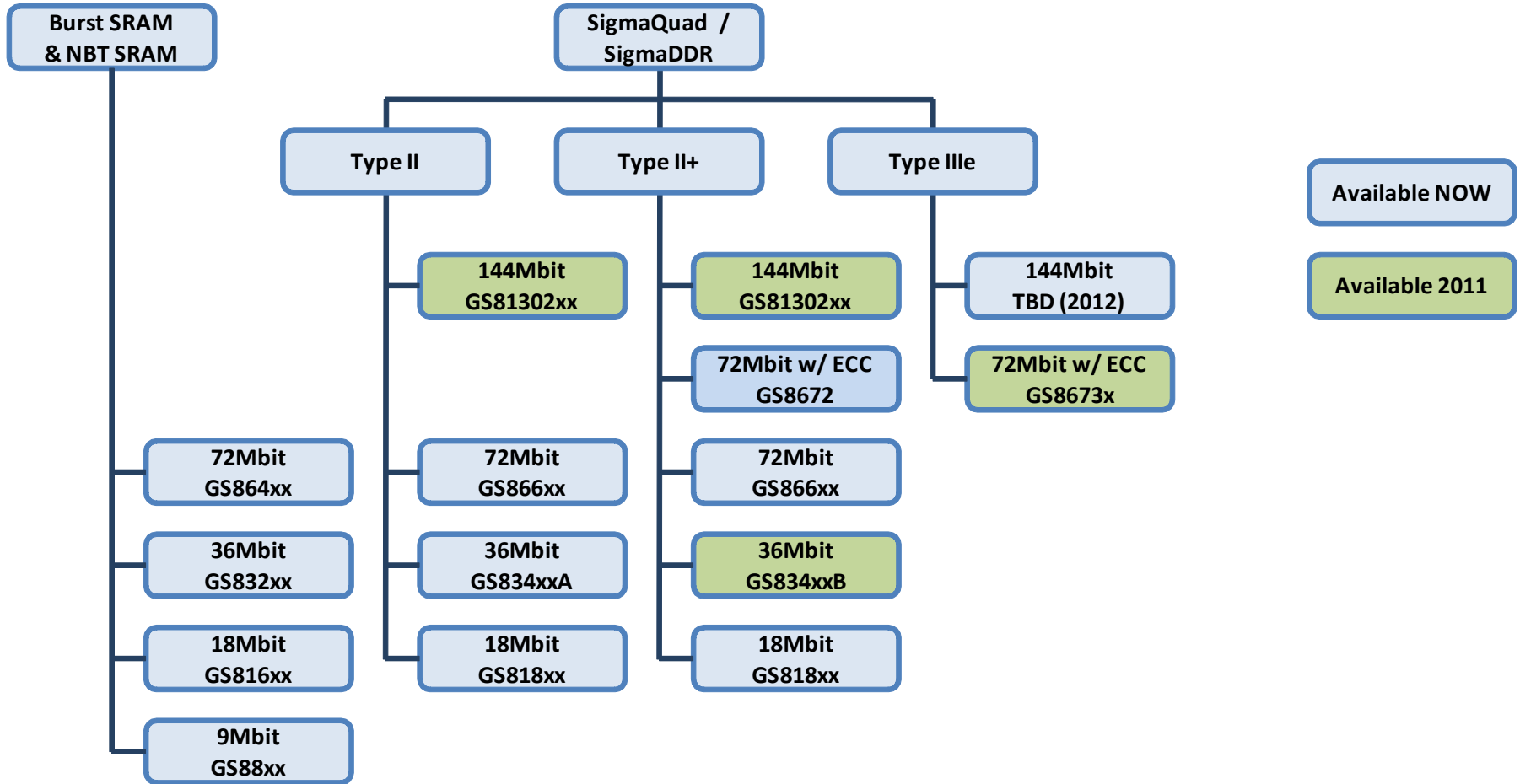
# GSI Technology Military Products



- A long history of serving the military & aerospace markets upon request
- Now available as standard products
- The broadest, most complete catalog of high performance memories anywhere



# Product Line at a Glance





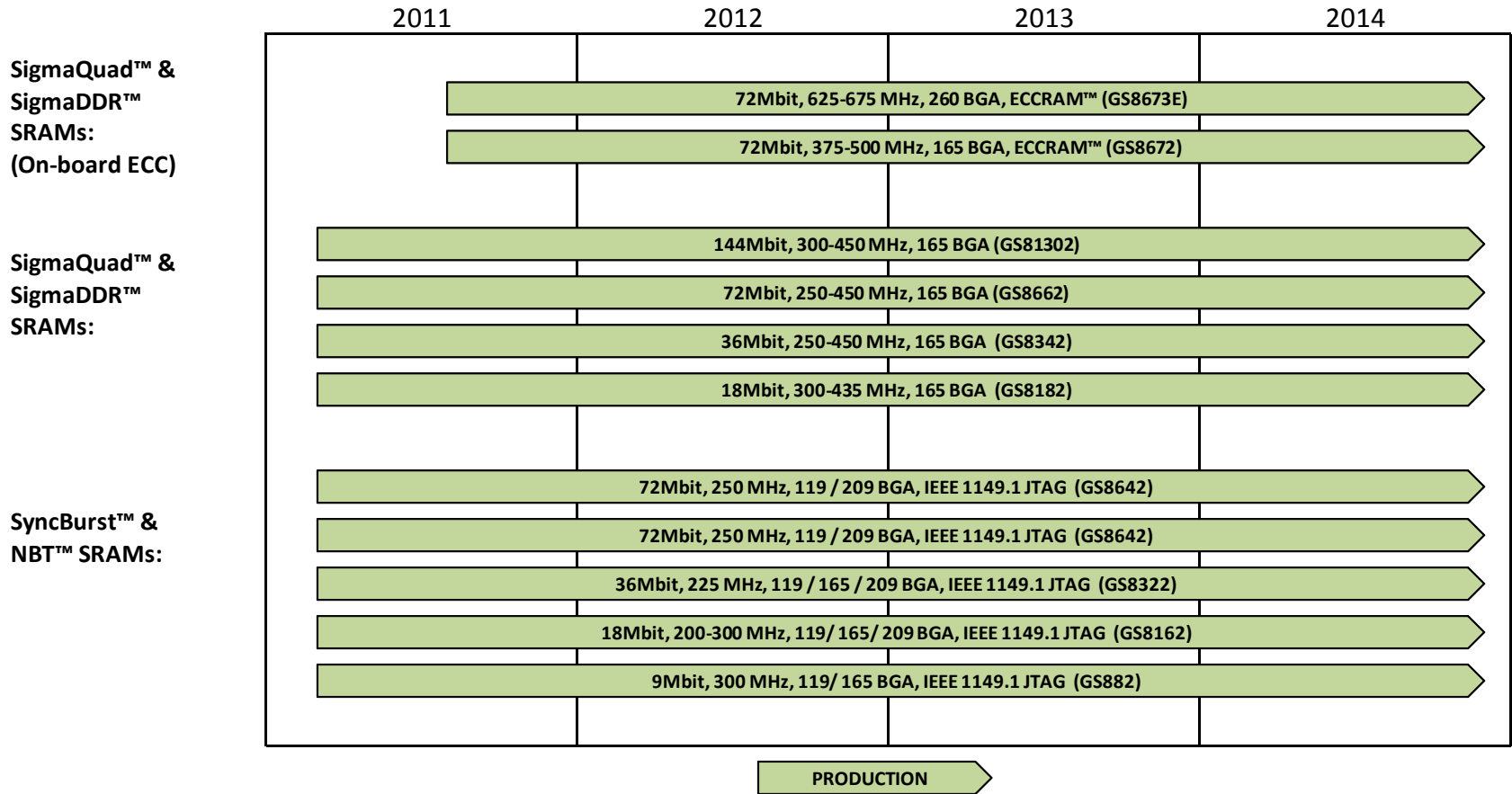
# Military Temp SRAM features



- **100% production tested with guardbands**
- **IEEE 1149.1 JTAG on many configurations**
- **On-board ECC with 72Mb SigmaQuad™ and SigmaDDR™ memories**
- **Industry-standard BGA packages with leaded and lead-free options**
- **Qualified on high volume, industry-standard fabrication processes**



# Schedules:





# GSI TECHNOLOGY

COMMITMENT

INNOVATION

*SPEED*