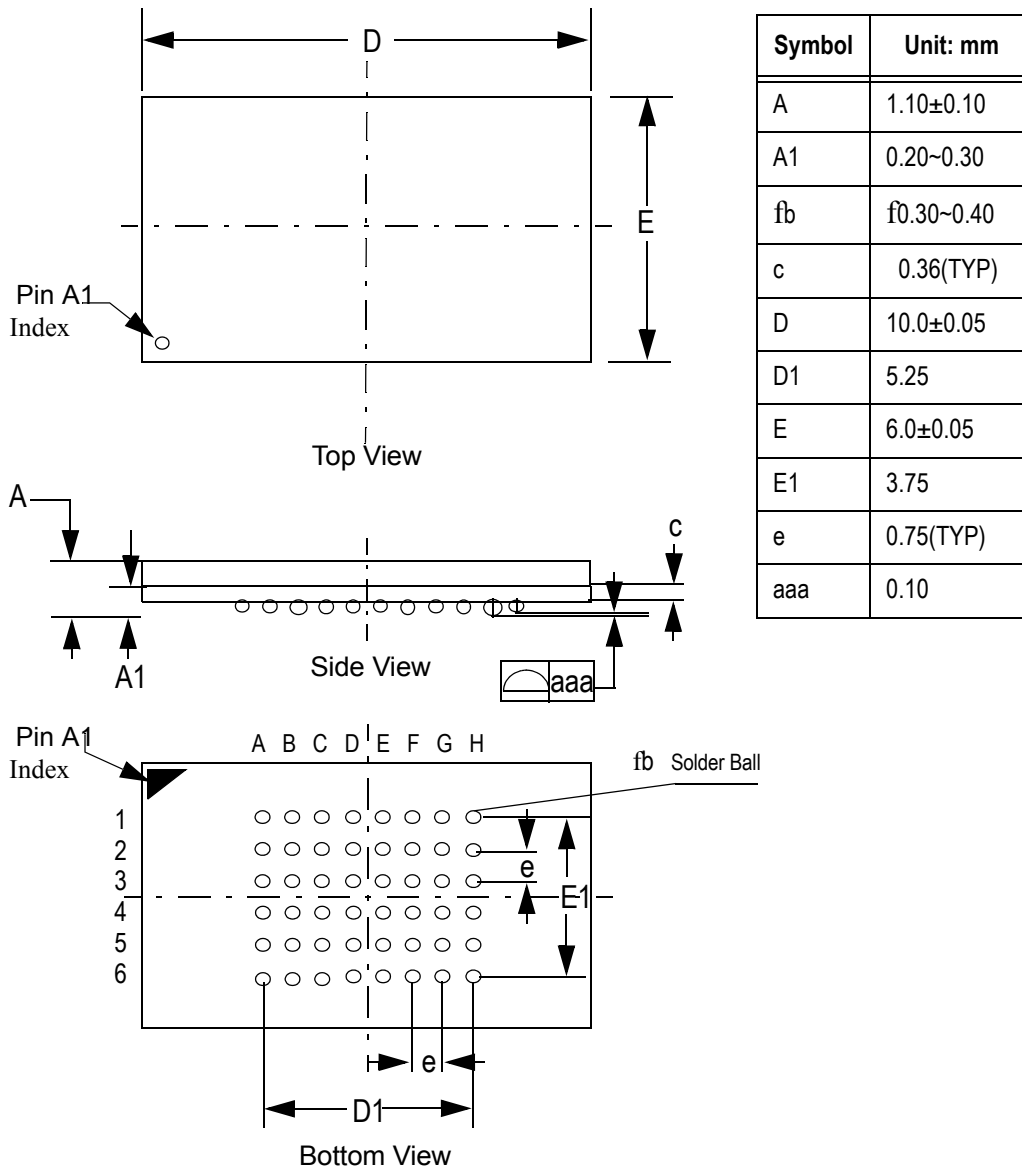


## 48-Bump BGA (6 mm x 10 mm) Daisy Chain Package

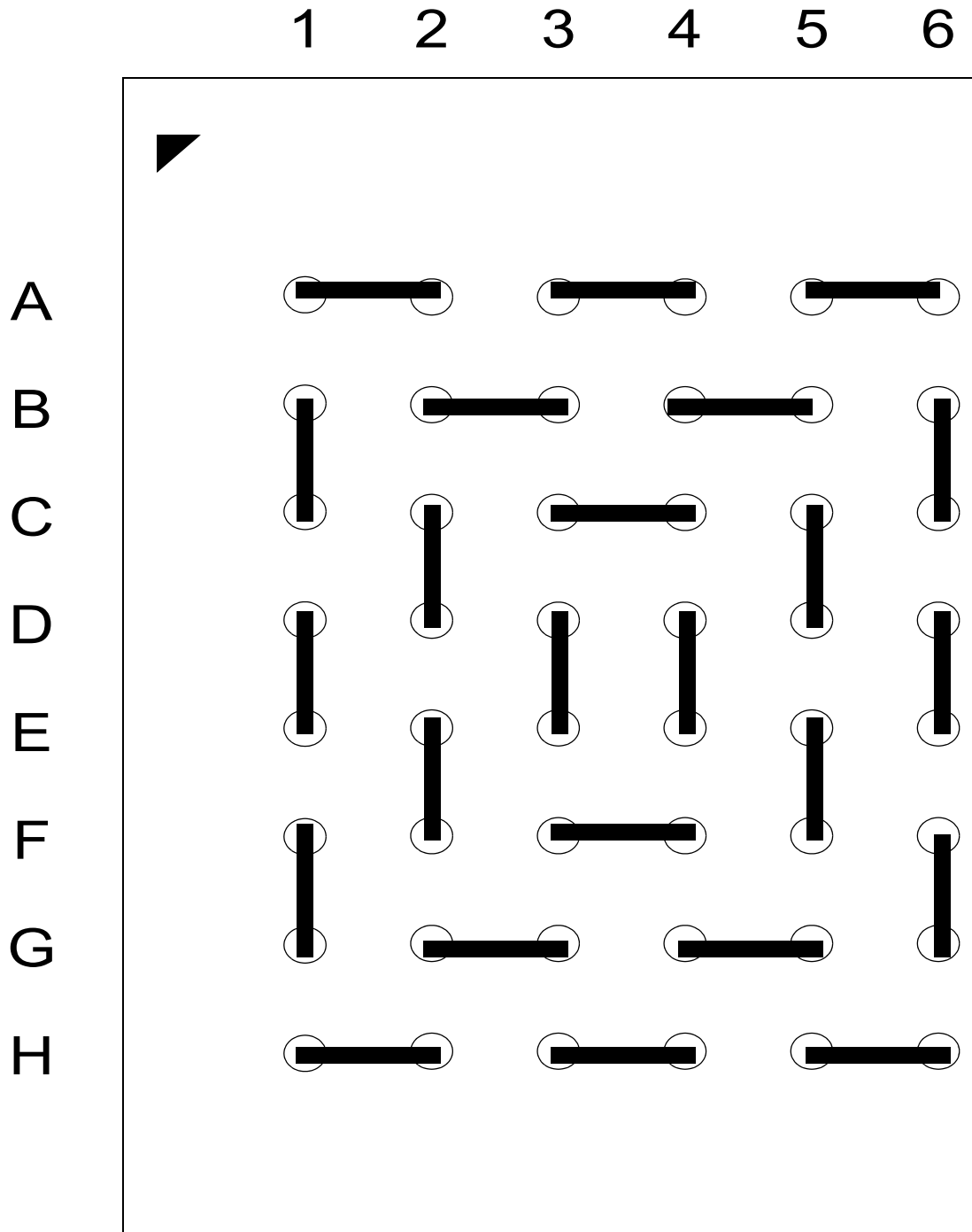
### Description

This mechanical daisy chain test vehicle is designed to represent the 48-Bump BGA package. It is used for second level interconnect assembly test and continuity verification.

### 6 mm x 10 mm FP-BGA (Package X)



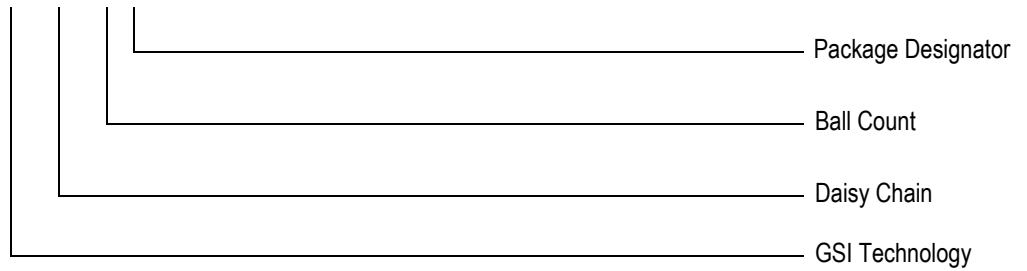
6 mm x 10 mm Fine Pitch BGA Interconnection Diagram



**Ordering Information**

**48-Bump BGA (6 mm x 10 mm)  
Daisy Chain Package**

**GSDC048X**



**48-Bump BGA (6 mm x 10 mm)  
Daisy Chain Package  
RoHS-compliant Option**

**GSDC048GX**

